



Product details

09 15 007 3001

Male insert, R 15

Series	R15
Number of contacts	7 poles + PE
Size of hood/housing	R15
Termination	Crimp termination
Insert material	Standard material
Contacts	Order separately
Hood material	Plastic
Electrical data	10 A 250 V 4 kV 3
RoHS compliant	Yes

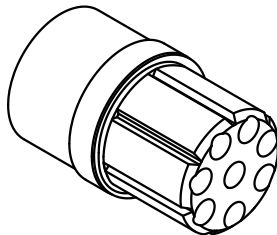
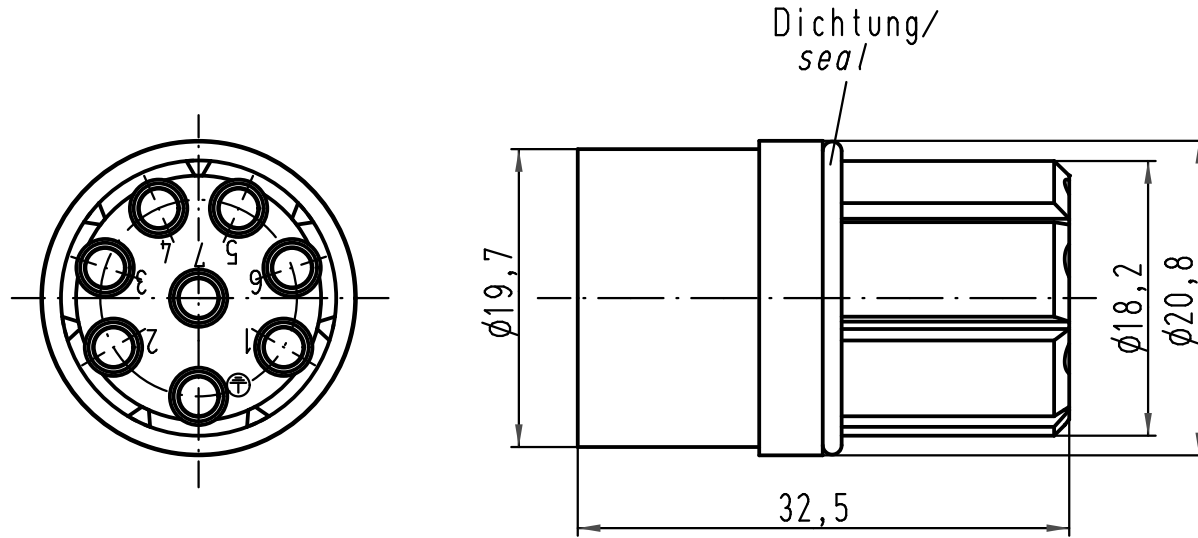
1 2 3 4 5 6

A

B

C

D



All Dimensions in mm Original Size DIN A 4			Techn. Character.			Nicht tolerierte Maße/Free size tolerances		
				Dat.	Name	Maßstab/Scale 2:1	R 15-7-M-c Stifteinsatz/ male insert	
			Detail.	24.02.93	PENNER			
			Insp.		HERB			
			Stand.					
413550	09.01.08	Ho	HARTING Electric GmbH & Co. KG				TB 09 15 007 3001	
413155	27.08.07	Ho	D-32339 Espelkamp					
25592	22.03.99	PL						
Mod.	Dat.	Name					Sub. TB 09 15 007 3001 v. 10.12.87	
							Blatt/page	